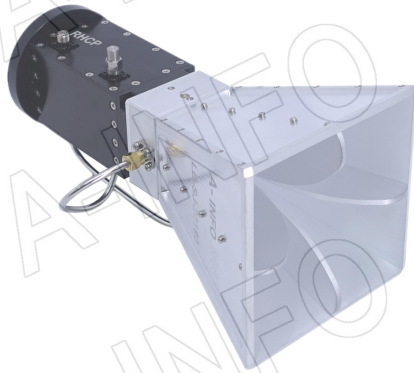


For reference only. See data sheet for the detailed specifications.

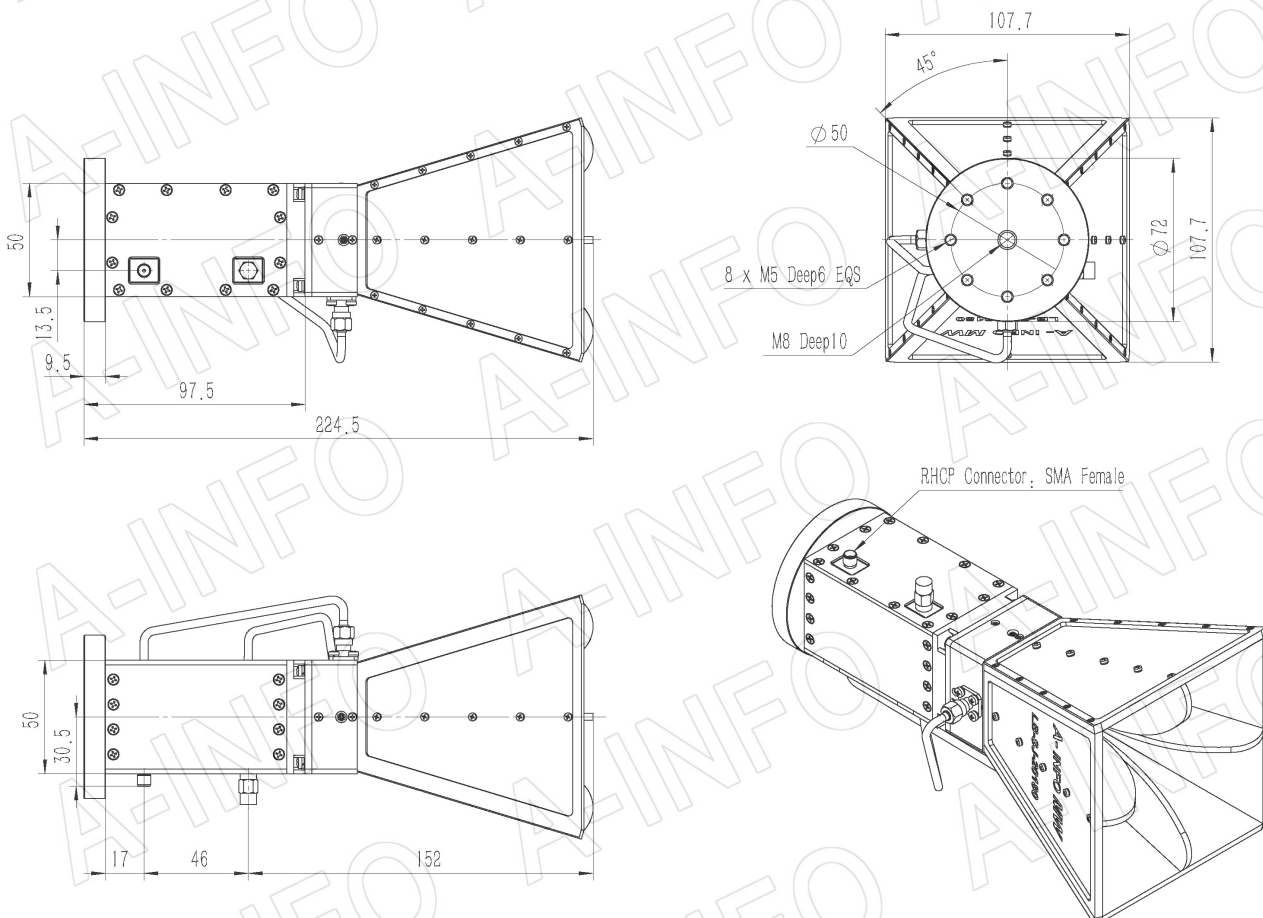
Technical Specification



Frequency Range(GHz)	2.0 – 18.0
Gain(dBic)	11 Typ.
Polarization	RHCP
Axial Ratio(dB)	2.0 Typ. 3.0 Max.
3dB Beamwidth(deg)	E Plane: 80 - 23
	H Plane: 79 - 23
VSWR	2.0:1 Max.
Connector	SMA-Female
Power Handling(W CW)	20 Max.
Material	Al
Finish	Chemical Conversion Coating and Anodizing
Size(mm)	107.7 x 107.7 x 224.5
Net Weight(Kg)	0.80 Around

Outline Drawing (Size: mm)

SMA-Female Output (P/N: LB-SJ-20180-P02)



AINFO Inc.

China(Beijing):
China(Chengdu):
USA :

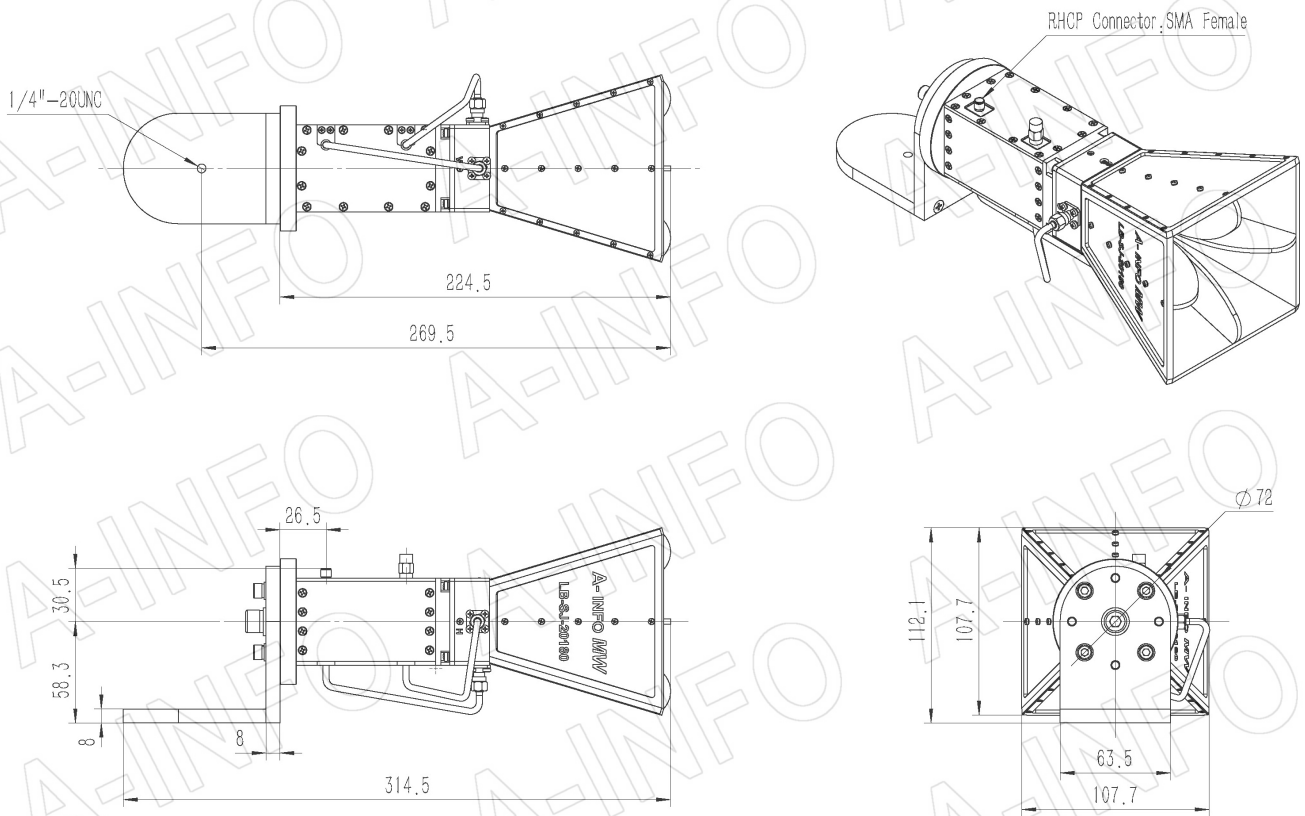
Tel: (+86) 10-6266-7326,
Tel: (+86) 28-8519-2786,
Tel: (+1) 949-639-9688,

(+86) 10-6266-7327
(+86) 28-8519-3044
(+1) 949-639-9608

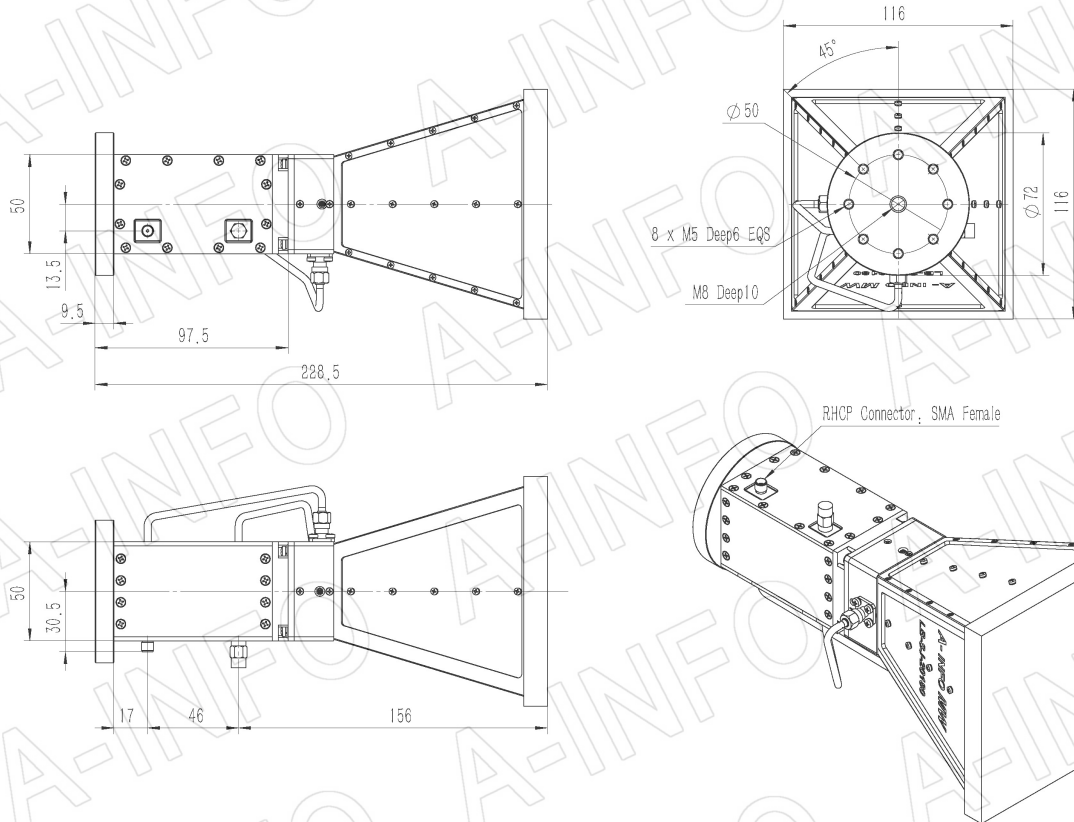
Page 1 of 11
Fax: (+86) 10-6266-7379
Fax: (+86) 28-8519-3068
Fax: (+1) 949-639-9670

Website: www.ainfoinc.com
Email: sales@ainfoinc.com

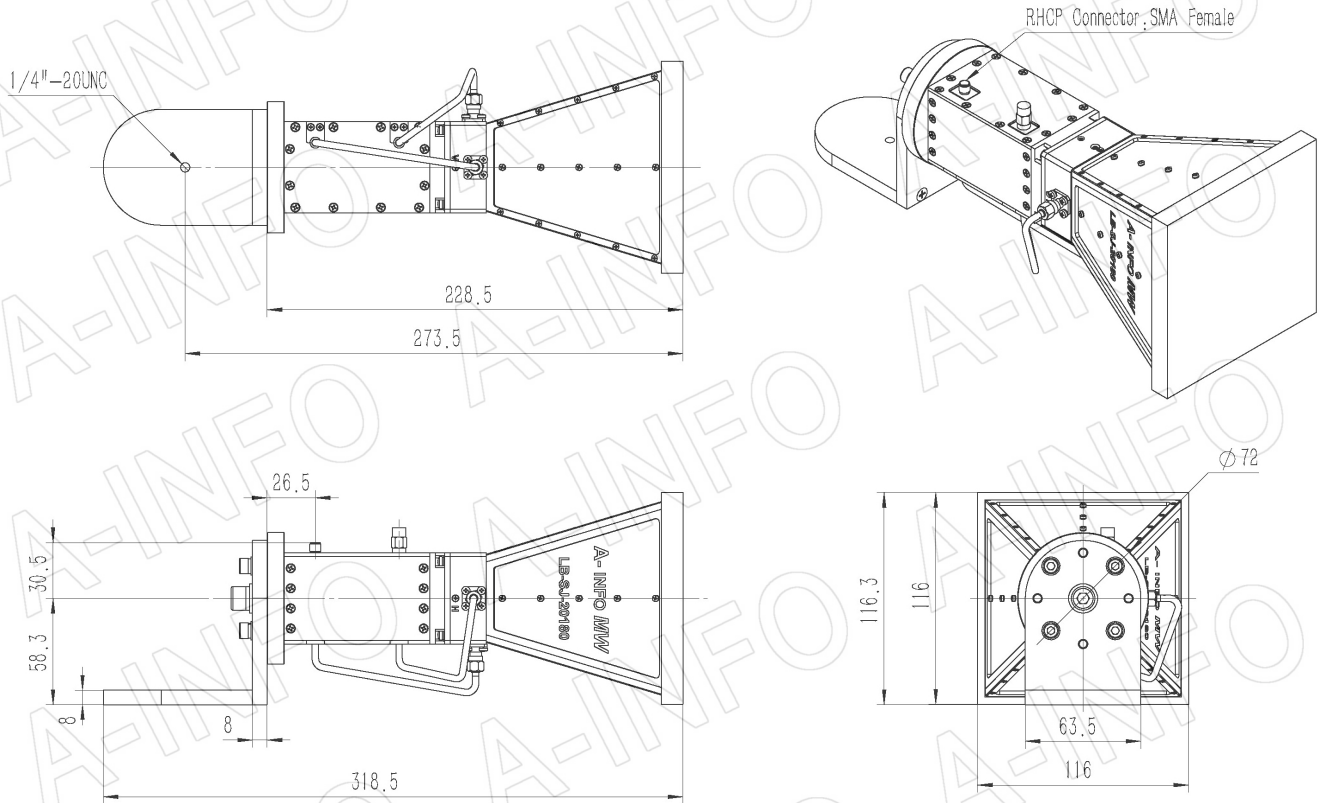
SMA-Female Output with L Type Mounting Bracket (Option, P/N: LB-10180-L)



SMA-Female Output with Radome (Option, P/N: LB-SJ-20180-P02SPO, Application Outdoor)

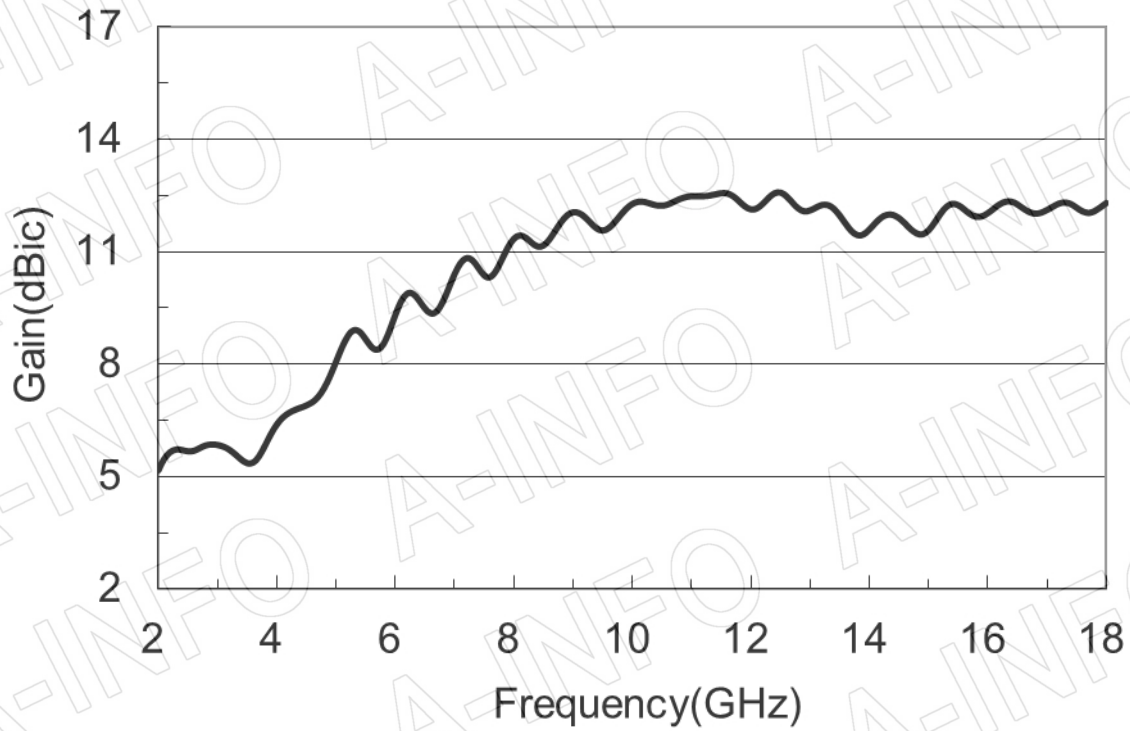


SMA-Female Output with L Type Mounting Bracket & Radome (Option, P/N: LB-10180-L & LB-SJ-20180-P02SPO, Application Outdoor)

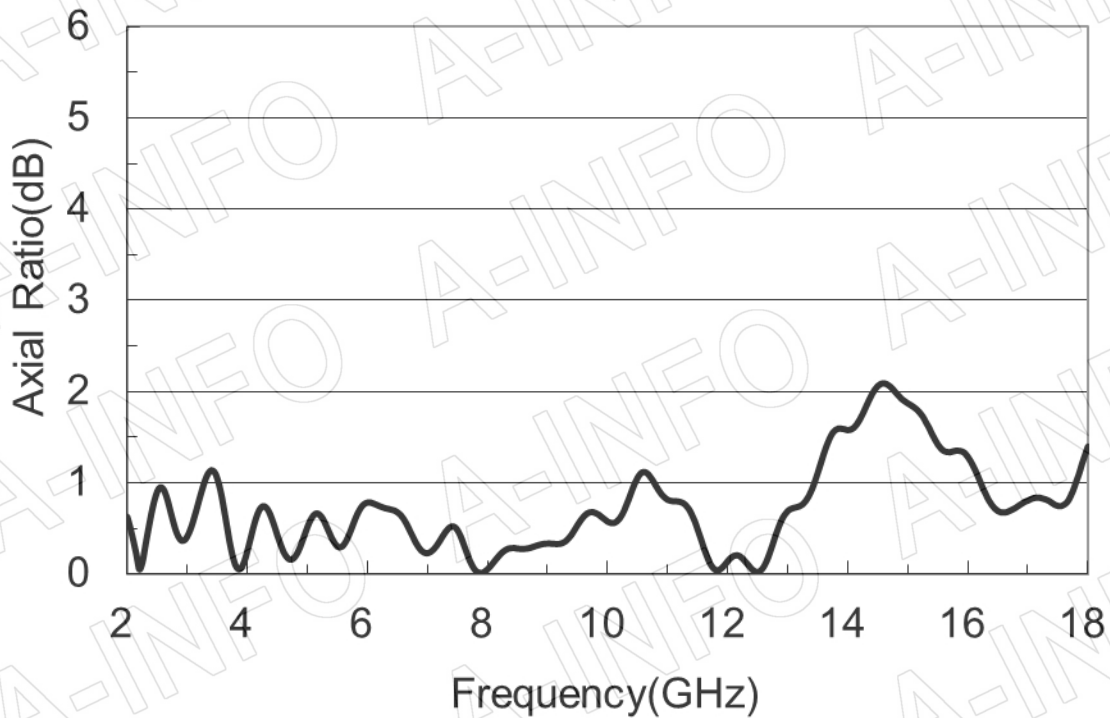


Test Results

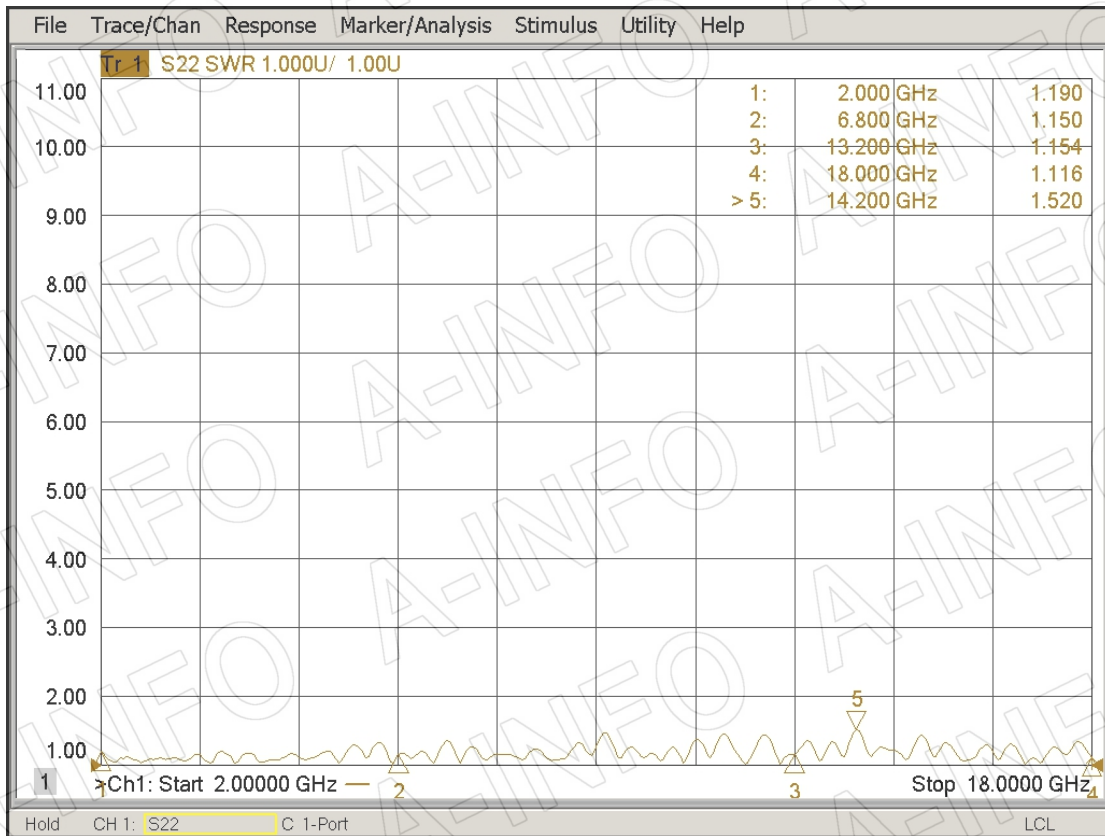
1. Gain



2. Axial Ratio



3. VSWR



4. Pattern

